
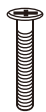
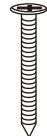

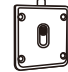

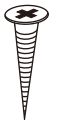







Kent Ladder Bookcase

Assembly Instructions

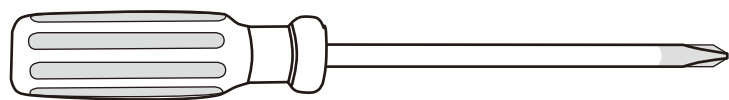
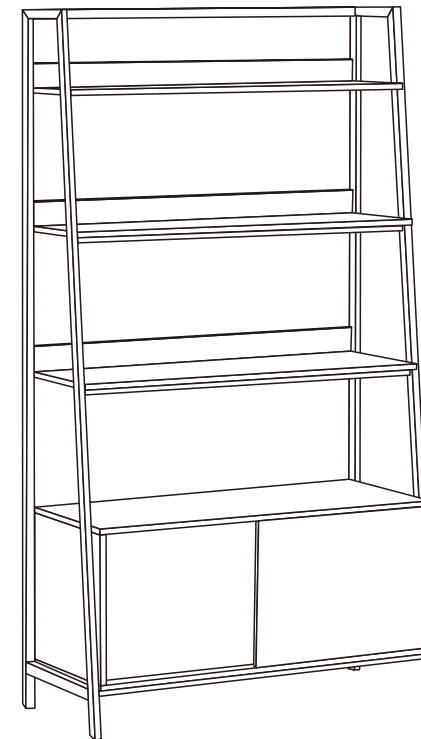
Thank you for your purchase.
Please follow the instructions below for correct assembly.

mocka

A 	B 	C 	D 	E 	F 
bolt & locking nut x20	25mm screw x18	50mm screw x18	14mm screw x32	plastic clip x4	plastic clip x4
G 	H 	I 	J 	K 	L 
18mm screw x6	bracket x6	25mm screw x2	wall plug x2	wall strap x2	dowel x20

Hardware Supplied

WARNING: Any furniture that is not anchored to a wall has the potential to tip over in certain circumstances, i.e. if a child attempts to climb up on the furniture or in the event of an earthquake. Accordingly, we recommend that all furniture is anchored to a wall. We supply a free safety wall anchor with all furniture sold and we recommend these are used to prevent your product tipping. The fixing device provided should fit most wall types, but please note that different wall materials may require different fixing devices from those supplied.



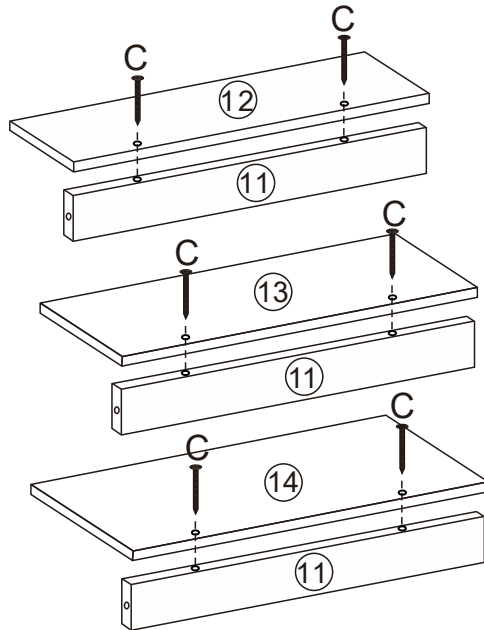
Phillips screwdriver required

Kent Ladder Bookcase

Assembly Instructions

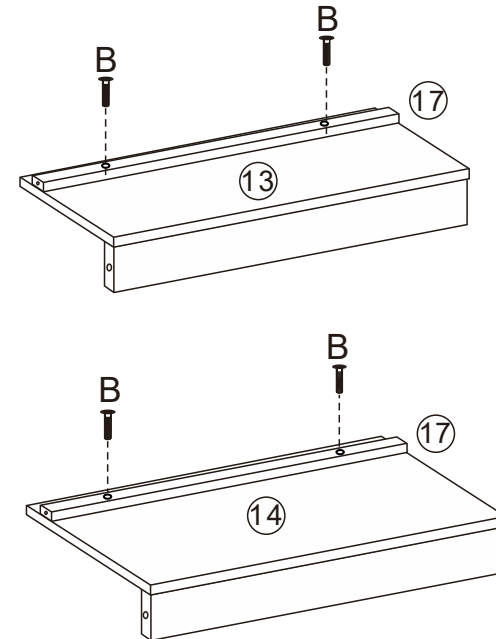
mocka

1



Attach panels [12], [13] and [14] to panels [11] and secure with 6 x screw (C).

2

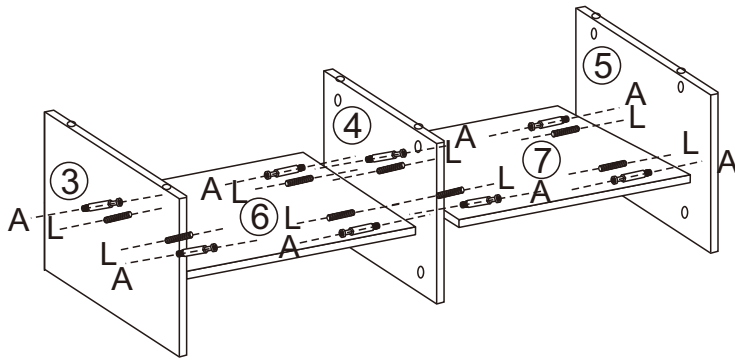


Attach steel frames [17] to panels [13] and [14] and secure with 4 x screw (B).

Kent Ladder Bookcase

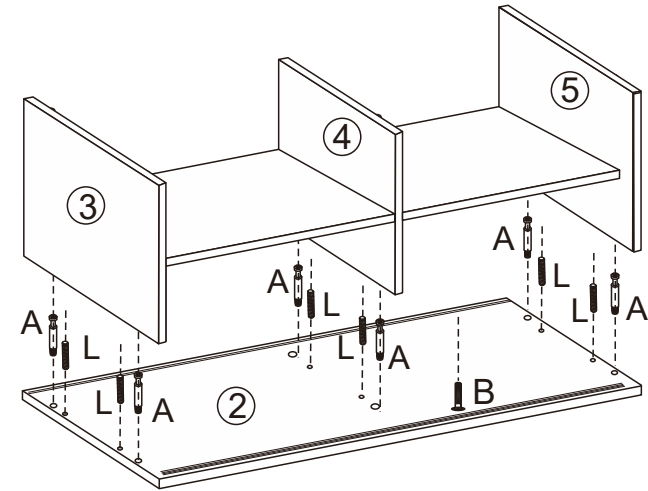
Assembly Instructions

3



1. Attach 8 x bolts (A) to panels [3], [4] and [5].
2. Insert 8 x dowels (L) into panels [6] and [7].
3. Attach panels [3] and [4] to panel [6] and secure with 4 x locking nuts (A).
4. Attach panels [4] and [5] to panel [7] and secure with 4 x locking nuts (A).

4



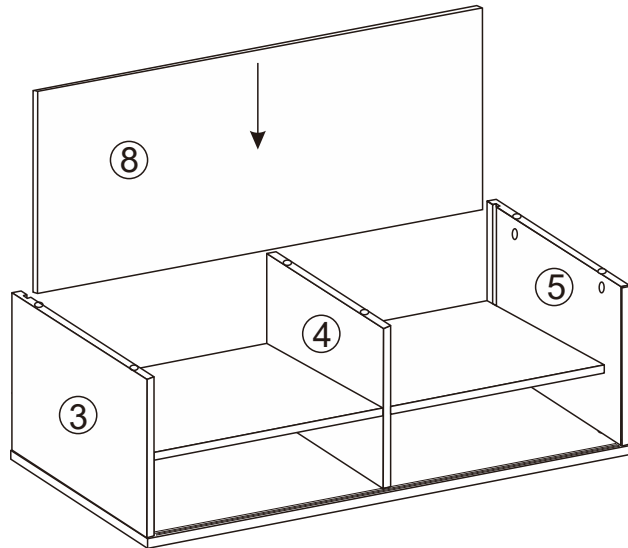
1. Attach 6 x bolts (A) to panel [2].
2. Insert 6 x dowels (L) into panels [3], [4] and [5].
3. Attach panels [3], [4] and [5] to panel [2] and secure with 6 x locking nuts (A).

Kent Ladder Bookcase

Assembly Instructions

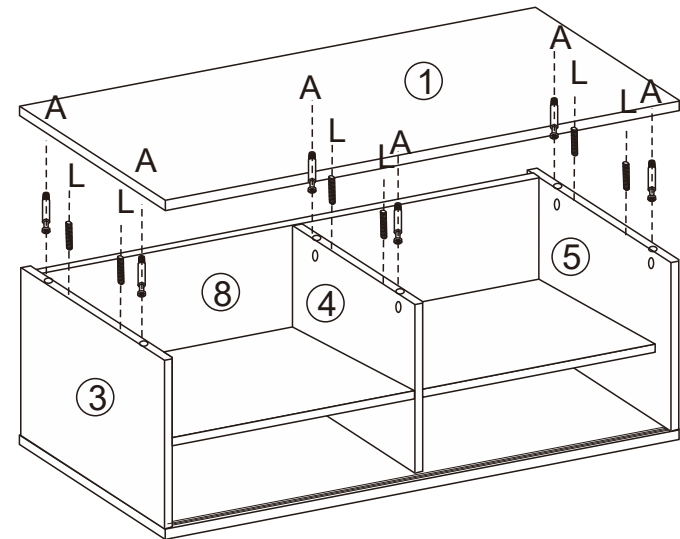
mocka

5



Slide panel [8] along slots of panels [3] and [5].

6



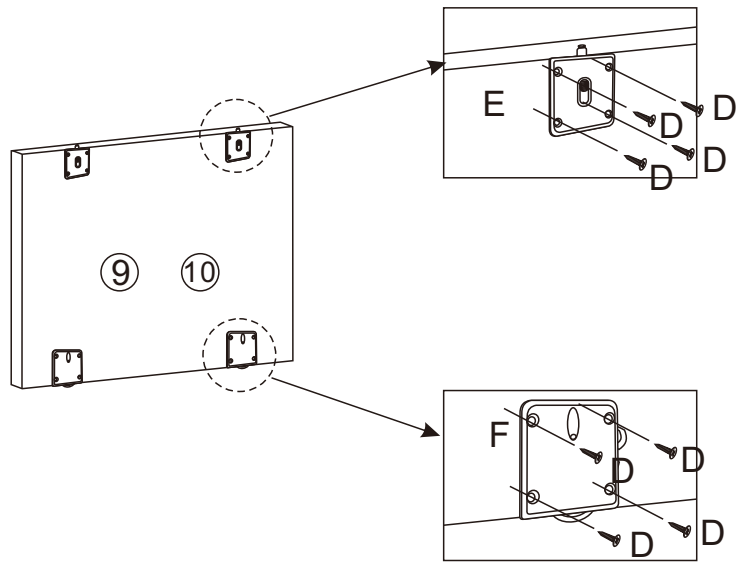
1. Attach 6 x bolts (A) to panel [1].
2. Insert 6 x dowels into panels [3], [4] and [5].
3. Attach panel [1] to panels [3], [4] and [5] and secure with 6 x locking nuts (A).

Kent Ladder Bookcase

Assembly Instructions

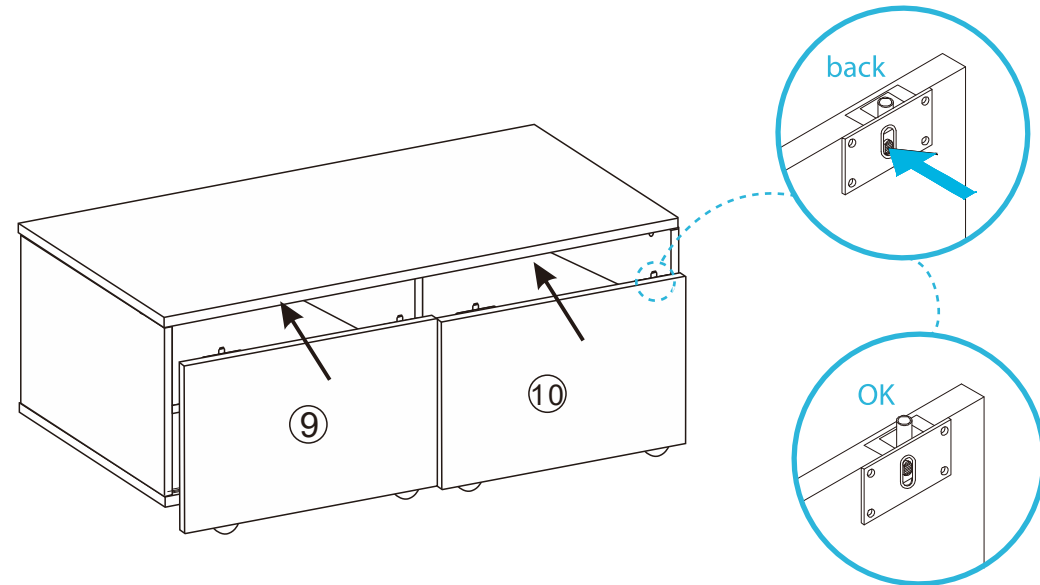
mocka

7



Attach plastic clips (E) and (F) to panels [9] and [10] and secure with 16 x screws (D).

8



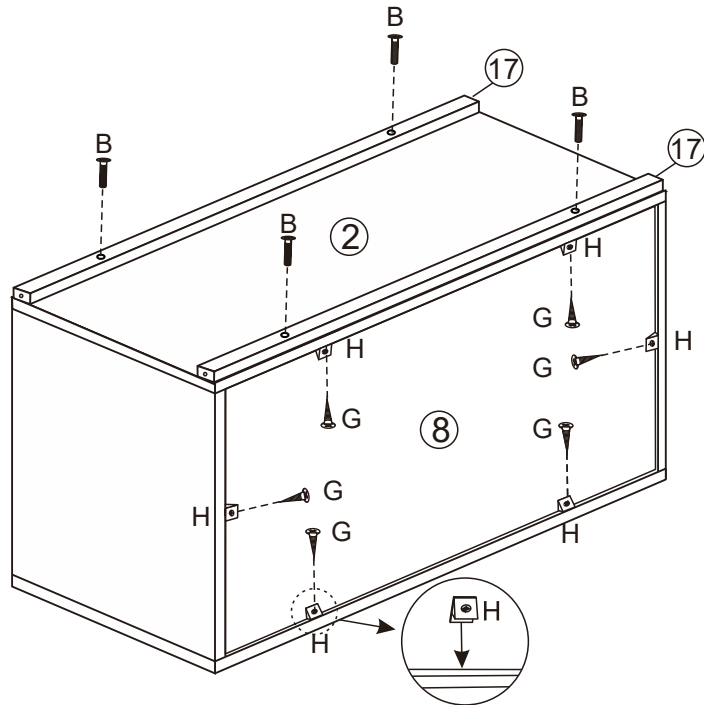
1. Push clip down.
2. Insert panels [9] and [10] to the cabinet as shown.
3. Push clip back up.

Kent Ladder Bookcase

Assembly Instructions

mocka

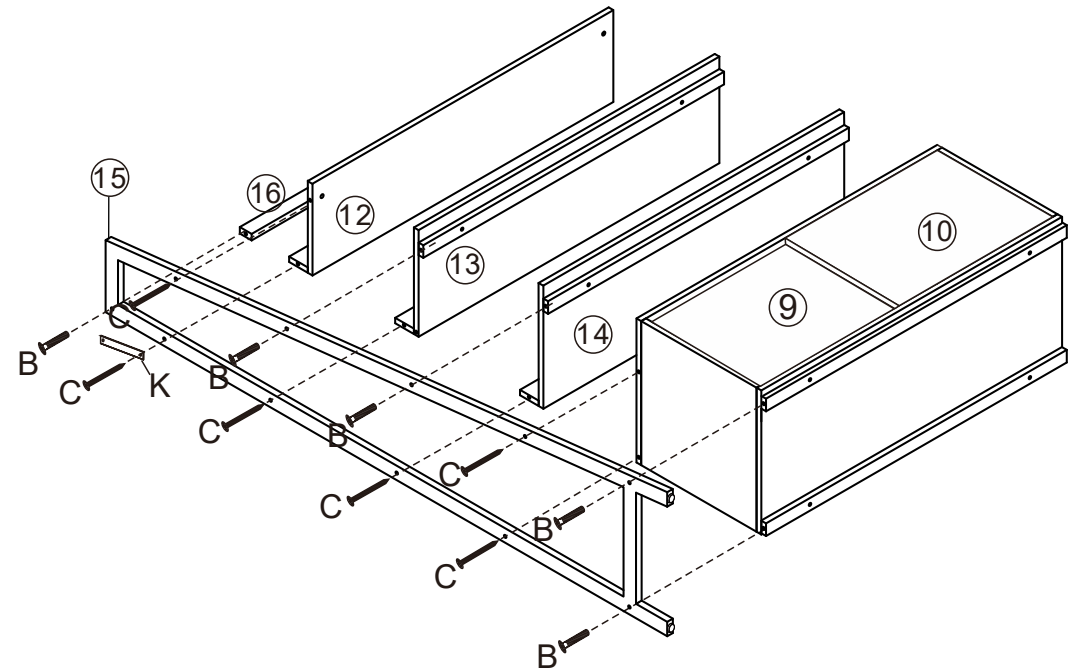
9



1. Attach steel frames [17] to panel [2] and secure with 4 x screws (B).

2. Attach 6 x brackets (H) to panel [8] and secure with 6 x bolts (G).

10



Attach main frame [15] to steel frame [16] and panels [12], [13], [14] and the cabinet, secure with 5 x screws (B) and 6 x screws (C).

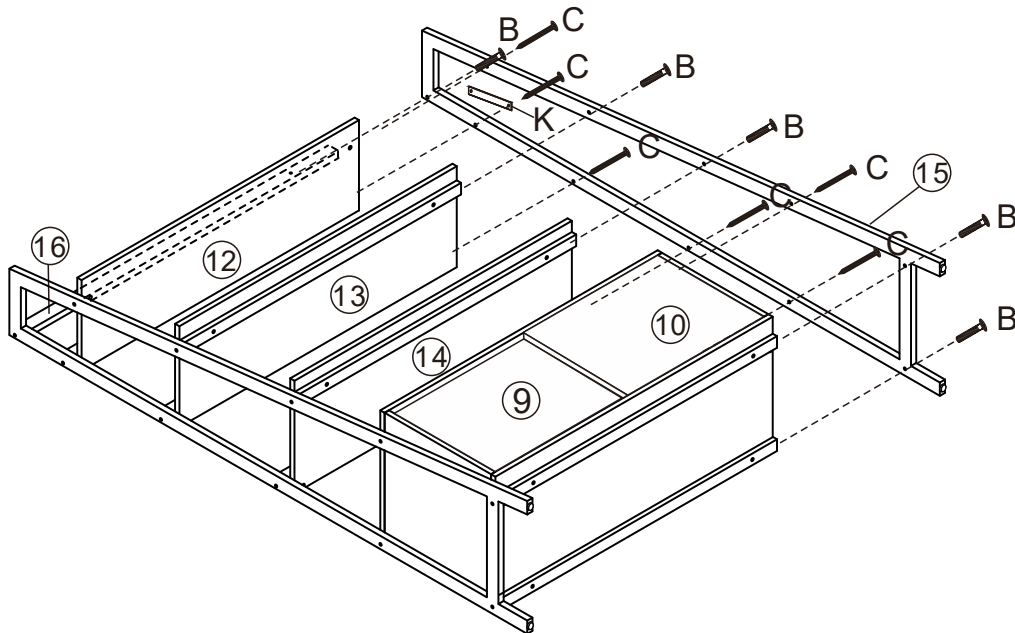
(Please pay attention that 1 x wall strap (K) should be threaded by screws C as shown.)

Kent Ladder Bookcase

Assembly Instructions

mocka

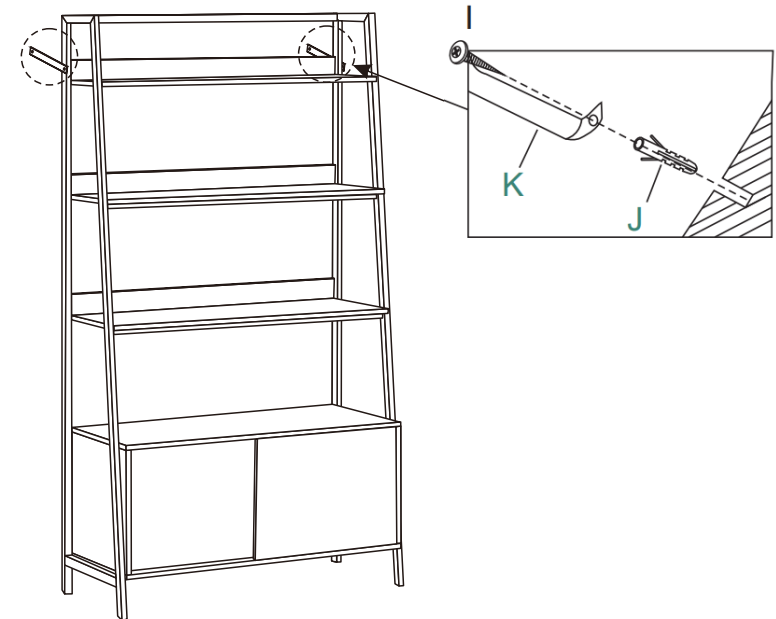
11



Attach main frame [15] to steel frame [16] and panels [12], [13], [14] and the cabinet, secure with 5 x screws (B) and 6 x screws (C).

(Please pay attention that 1 x wall strap (K) should be threaded by screws C as shown.)

12



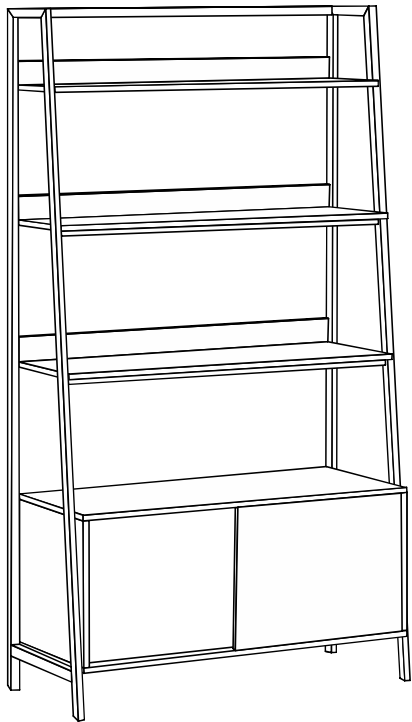
Once assembled lift furniture into place, do not drag. Fasten to the wall using 2 x wall plugs (J) and 2 x screws (I). Ensure unit is balanced and steady before use.

Kent Ladder Bookcase

Assembly Instructions

mocka

13



You`re done, enjoy!